

Connecting LYNX Series Controls to the GSMX, GSMV or 7845GSMR Communications Device

For Online Support visit: <http://www.security.honeywell.com/hsc/resources/MyWebTech/>



Refer to the GSMX and LYNX PLUS, LYNXR-2 or LYNXR-I Installation Instructions for additional information and procedures. If you are installing the Communications Device with a LYNXR PLUS control, ensure that the cable is properly routed. If used, interconnecting wiring between the cable and the communications device must not exceed 20ft in length.

Connecting the GSMX

1. Splice the stripped end of two cables (P/N 600-00151) to each other as shown in Figure 1 and Table 1.

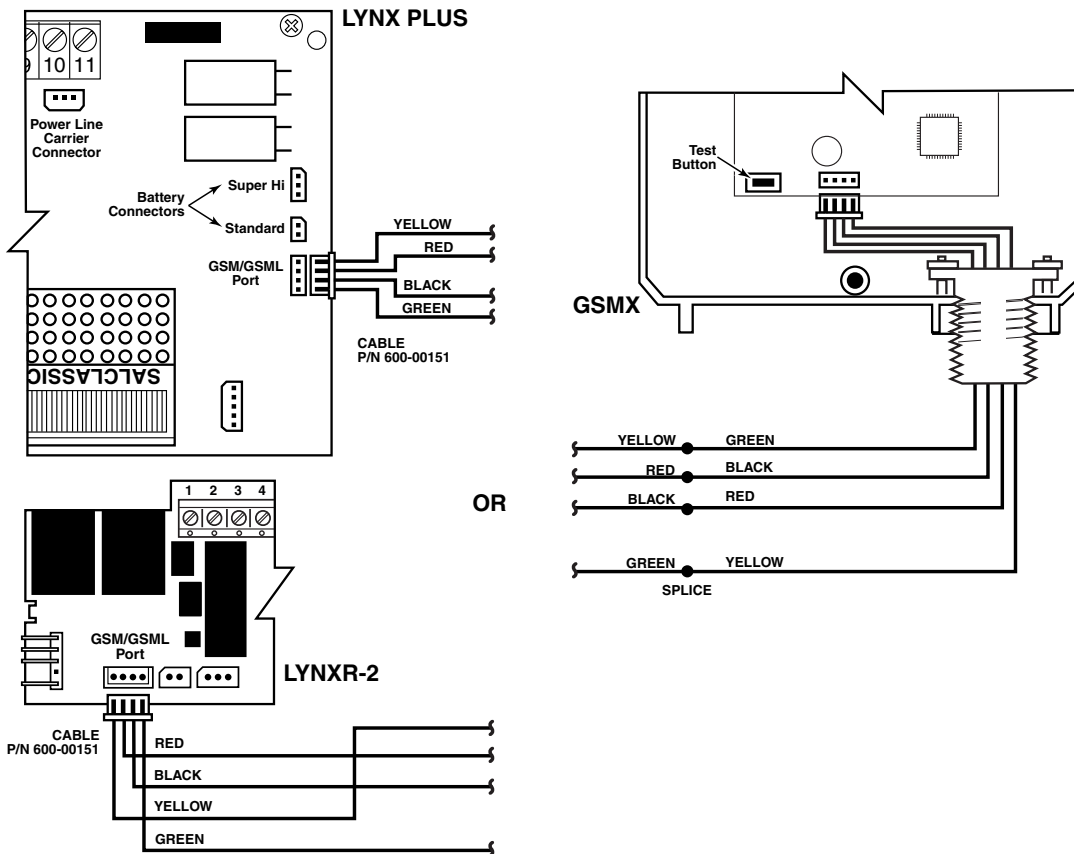


It is essential that the wires are spliced exactly as shown on Figure 1. If used, interconnecting wiring between the two cables must not exceed 20ft in length.

2. Connect one end of the spliced cable (P/N 600-00151) to the receptacle on GSMX as shown in Figure 1.
3. Connect the other end of the spliced cable (P/N 600-00151) to the communications port on the LYNX PLUS, LYNXR-I or LYNXR-2 as shown in Figure 1. For the LYNX PLUS, ensure that the cable is properly routed as shown on Figure 2.

Table 1 - Cable 600-00151 Splice Configuration

LYNX Series	GSMX
Yellow	Green
Red	Black
Black	Red
Green	Yellow



LYNXGSMEXTCB-001-V0

Figure 1. GSMX Connections

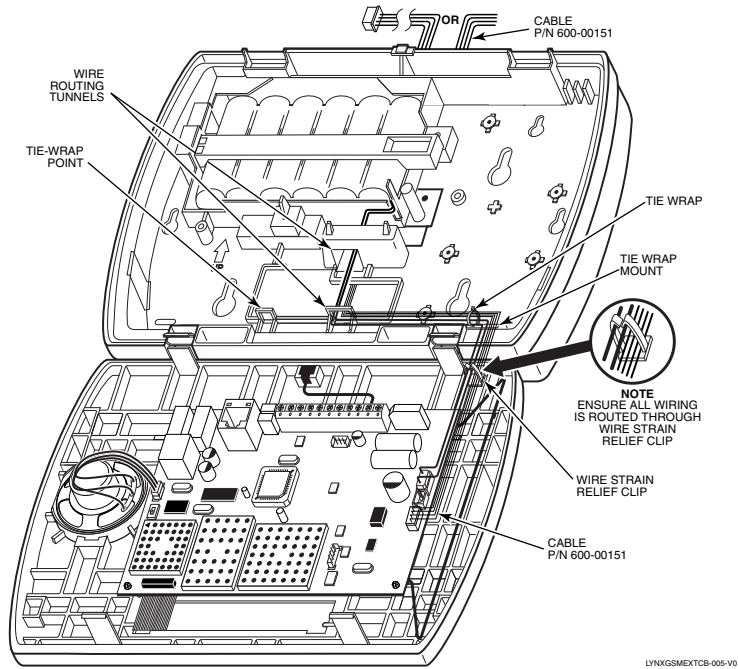


Figure 2. LYNXR PLUS Cable Routing

Connecting the GSMV and 7845GSMR



Power for the GSMV or 7845GSMR is provided by the LYNX Series Control. Do not install the battery in the GSMV or 7845GSMR. Connecting the battery will significantly decrease the backup battery life of the LYNX Series controls.

1. Connect the connector of the cable (P/N 600-00151) to the communications port on the LYNX PLUS, ~~LYNXR-1~~ or LYNXR-2 as in Figure 3. For the LYNX PLUS ensure that the cable is properly routed as shown on Figure 2.
2. Connect the four stripped wires from cable (P/N 600-00151) to the GSMV or 7845GSMR as shown in Figure 3.
3. Connect a jumper wire between Terminal 2 and 3 on the GSMV or 7845GSMR as shown in Figure 3.

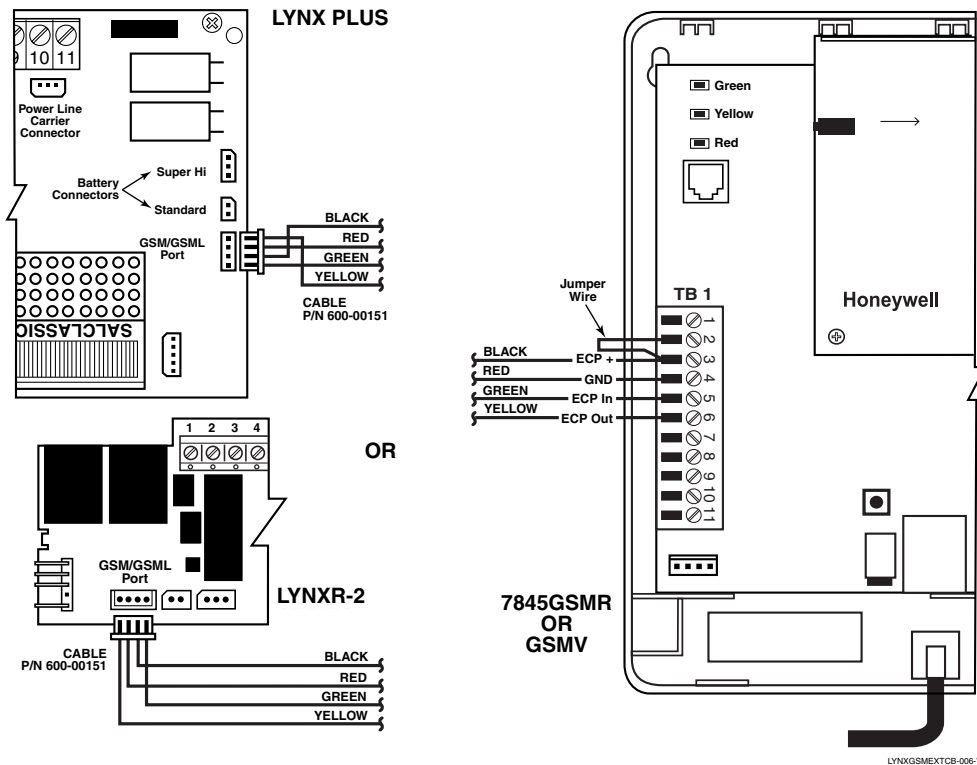


Figure 3. 7845GSMR or GSMV Connections



Honeywell

2 Corporate Center Drive, Suite 100
 P.O. Box 9040, Melville, NY 11747
 Copyright © 2010 Honeywell International Inc.
www.honeywell.com/security